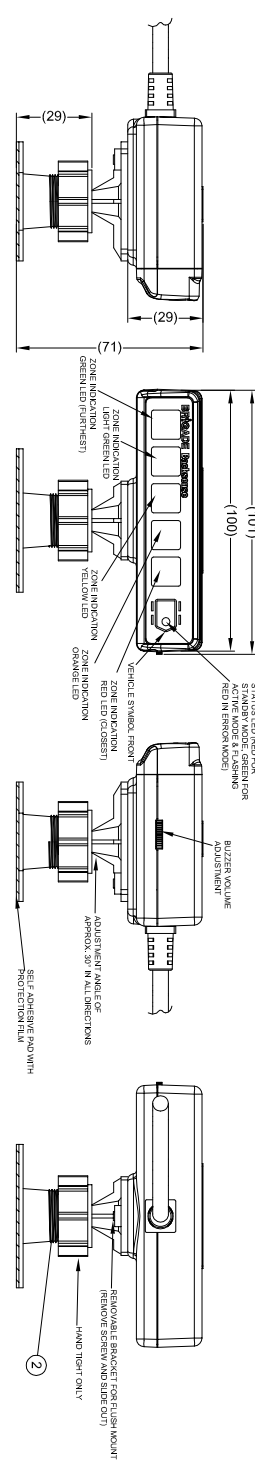
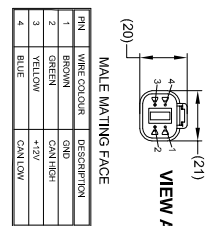
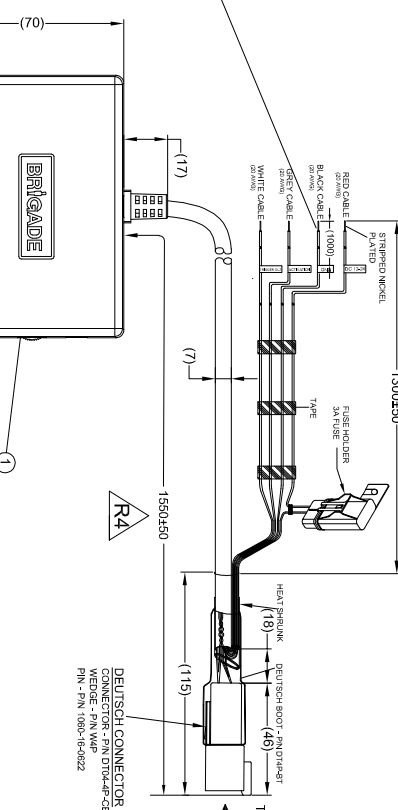
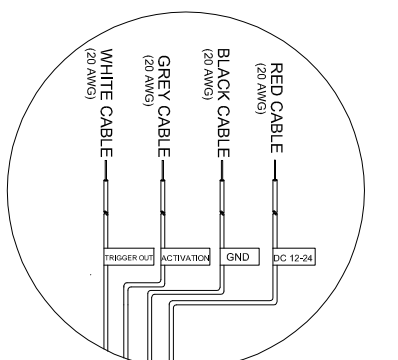


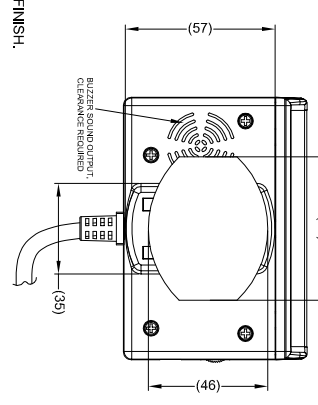
Revision Notes			
R1 - LED DISPLAY SOFTWARE VERSION UPDATED. WIRE COLOUR AND THICKNESS UPDATED AS PER ECR-A278	AP.A: S.WAN	Drawn: LBRAR	Checked: AF
AP.A: S.WAN	Approved: B.JOHN	Date: 06/05/14	
R2 - LED DISPLAY SOFTWARE VERSION UPDATED AS PER ECR-A300	AP.A: S.WAN	Drawn: LBRAR	Checked: AF
AP.A: S.WAN	Approved: B.JOHN	Date: 03/07/14	
R3 - LED DISPLAY SOFTWARE VERSION UPDATED AND UPDATED PCB ID NO. ADDED AS PER ECR-A306 & ECR-A307	AP.A: S.WAN	Drawn: LBRAR	Checked: AF
AP.A: S.WAN	Approved: B.JOHN	Date: 05/08/14	
R4 - SPARE PART DETAILS ADDED TO NOTES. DIMENSION CORRECTED FROM 1500±20 TO 1550±50 AS PER 01784.	AP.A: J.WEIL	Drawn: W.BEAZLEY	Checked: R.BATES
AP.A: J.WEIL	Approved: S.MATTHEWS	Date: 29/04/16	



ITEM	PART NO.	QTY	MODEL/DESCRIPTION
①	SEE TABLE BELOW	1	BS-70XXD-NON-CONFIGURABLE LED DISPLAY (3, 4.5 & 6M) ONLY
②	(4539)		BS-BKT-01-BRACKET FOR LED DISPLAY

PART NO.	MODEL NO.	DESCRIPTION
(4531)	BS-7030D	3M NON-CONFIGURABLE LED DISPLAY WITH BRACKET
(4532)	BS-7045D	4.5M NON-CONFIGURABLE LED DISPLAY WITH BRACKET
(4533)	BS-7060D	6M NON-CONFIGURABLE LED DISPLAY WITH BRACKET

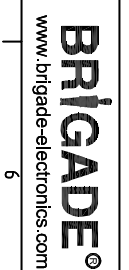
PART NO.	MODEL NO.	DESCRIPTION	FRMWARE VERSION
(4546)	BS-7030D-D	3M NON-CONFIGURABLE LED DISPLAY	RCW_PN4527_20140728
(4547)	BS-7045D-D	4.5M NON-CONFIGURABLE LED DISPLAY	RCW_PN4528_20140728
(4548)	BS-7060D-D	6M NON-CONFIGURABLE LED DISPLAY	RCW_PN4529_20140728



- NOTES:
- MATERIAL: ABS/77E.
 - COLOR: BLACK.
 - FINISH: EXTERIOR SURFACES TO HAVE GRAIN STRUCTURE FINISH.
 - REFER TO PRODUCT SPECIFICATIONS FOR MORE DETAILS.
 - THE OUTSIDE CABLE INSULATION MUST END MINIMUM 20MM WITHIN THE BOOT.
 - SINGLE WIRES TO CABLE CONNECTION MUST END MINIMUM 20MM WITHIN THE HEAT SHRINK.
 - FOR PRODUCT LABEL REFER TO LATEST REVISION OF DRAWING BE-002767-XX-13.
 - FOR PRODUCT SERIAL NUMBER LABEL REFER TO LATEST REVISION OF DRAWING BE-002766-XX-13.
 - LED DISPLAY PCB UPDATED TO 48UMDLED2GEAG 20140528 VERSION.
 - WHEN SUPPLIED AS A SPARE PART, TO BE PACKAGED IN A SUITABLE BOX WITH A GIFTBOX LABEL APPLIED.
 - WHEN SUPPLIED AS A SPARE PART, FOR GIFTBOX LABEL REFER TO LABEL DRAWING BE-002755-XX-13.



PROPRIETARY NOTICE
 THIS DESIGN AND TECHNICAL INFORMATION APPEARING ON THIS DRAWING IS THE PROPERTY OF BRIGADE ELECTRONICS, AND IS DISCLOSED IN CONFIDENCE. IT IS NOT TO BE COPIED, REPRODUCED, REVEALED TO OR EXPLOITED BY OTHERS, EITHER IN WHOLE OR IN PART WITHOUT THE EXPRESS WRITTEN CONSENT OF BRIGADE ELECTRONICS.



Assembly Pl Approval		Approved by		Checked by		Drawn by	
A.CHAO		S.MATTHEWS		R.BATES		LBRAR	
Angle of Projection		Units	Scale	Released	Assembly Ref		
Third Angle		mm	N/A	15/01/14	8H1A-12902/3/4		
		Status RELEASED	BS-70XXD				
		Part No VARIOUS	BE-002791-04-13				